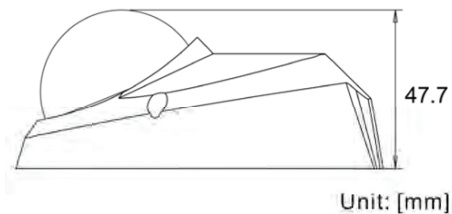
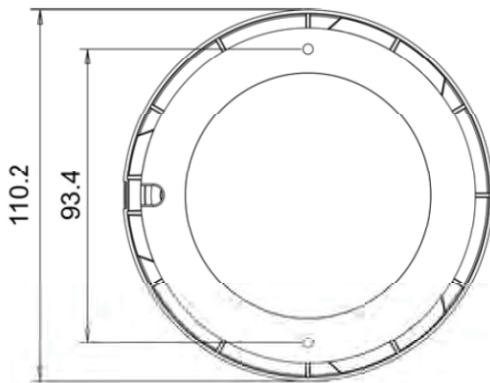


X1 Ultra Wide Dynamic Range IP Camera

- Quad Streaming • Ultra WDR • Hi Frame Rate



Dimension



Unit: [mm]

Features

- Sony Xarina™ Platform
- 2 Megapixel Progressive Scan Sensor
- High Frame Rate - 50/60fps
- Ultra Wide Dynamic Range - 96dB
- Support Up to Quad Streaming(30fps)
- Dual Streams, Full HD 1080P Real-Time + Full HD 1080P Real-Time
- H.264 and MJPEG compression
- Built-in Microphone
- Multi-language support
- Tampering Alarm
- Motion Detection & Privacy Masks
- Smart Picture Quality / 3D Noise Reduction
- Up to 32GB Micro SD
- Weatherproof (IP66 international)*
- Weatherproof Dongle Cable*
- ONVIF support

Switchable to either High Frame Rate or Ultra WDR

(*): Items marked with an asterisk (*) are optional

DYNACOLOR
always watching

www.dynacolor.com.hk

X1 Ultra Wide Dynamic Range IP Camera

Specifications

Camera		X1
Image Sensor		1/2.8" Sony Progressive CMOS
Effective Pixels		1920(H) x 1080(V)
Minimum Illumination		0.05 lux (color)
White Balance		Manual / AWB / ATW
Shutter Speed		1 ~ 1/10000 sec.
Focal Length		f3.6 mm
Max. Aperture Ratio		F 1.8
Angle of view		86.4°
Operation		
Video Compression		H.264 / MJPEG
Video Streaming	Single	H.264 1080P(50/60 fps)
	Dual Streaming	H.264 1080P(50/60 fps) + H.264/MJPEG D1(50/60 fps)
	Quad Streaming	H.264 1080P(25/30 fps) + H.264 720P(25/30 fps) + H.264 720P(25/30 fps) + H.264/MJPEG CIF(25/30)
Video Resolution		Full HD 1080P / SXGA / HD 720P / XGA / SVGA / D1 / VGA / CIF / QCIF @50/60fps or 25/30fps (2 shutter WDR)
Wide Dynamic Range		Shutter WDR (96dB)
Image Setting		Backlight Compensation, Noise Reduction, Privacy Mask, Brightness, Exposure, Sharpness, Contrast, Saturation, Hue, Digital Zoom, Tampering Alarm, Digital Image Stabilization
Audio	One-way Audio	Built-in Mic
	Compression	G.711/G.726
Multiple Languages		English / French / German / Italian / Japanese / Korean / Portuguese / Russian / Simplified Chinese / Spanish / Traditional Chinese
Network		
Interface		RJ-45, 10/100/1000 Mbps Ethernet (Giga Ethernet)
Protocol		IPv4/v6, TCP/IP, UDP, RTP, RTSP, HTTP, HTTPS, ICMP, FTP, SMTP, DHCP, PPPoE, UPnP, IGMP, SNMP, QoS, ONVIF, ARP
Security		HTTPS / IP Filter / IEEE 802.1X
Event Notification		HTTP / FTP / SMTP
Micro SD*		microSDHC 32GB support
Supported Web Browser		Internet Explorer (6.0+) / Chrome / Firefox / Safari
User Account		20
Password Levels		User and Administrator
General		
Operating Temperature		-10°C ~ 50°C (14° ~ 122° F)
Humidity		10% ~ 90%, No Condensation
Weatherproof Standard*		Rugged Type- IP66
Dimension		∅ 110.2 x 47.7 mm (∅ 4.3 x 1.9 in.)
Weight		180 g (0.40 lb)
Power Source		PoE
Power Consumption		4.2W
Regulatory		CE / FCC / RoHS

(*) Optional

Product specifications and availability are subject to change without notice. Certain product names mentioned herein may be trade names and / or registered trademarks of their companies.

DynaGuard™ CMS System Requirements (Recommended):

Windows 7 Professional, Intel® Core™ 17-2600 (3.4GHz) or faster, 4GB DDR3 RAM, GeForce GTS450 1GB PCI-E 16X Video Card, Gigabit LAN connection *For Windows Platform Only

DYNACOLOR
always watching

華輝
WECL

電 | 子 | 科 | 技 |
ELECTRONICS SPECIALIST

華輝無線電行有限公司 Welfare Electronic Component Ltd.
門市部 Retail :
香港九龍深水埗鴨寮街201號明珠樓地下及一樓全層
G/F & 1/F, Ming Chu Building, 201 Apliu Street, Sham Shui Po, Kln, Hong Kong
Tel : (852) 3182 0688 Fax : (852) 3182 0600
E-mail : cs@wecl.com.hk Hotline : (852) 3182 0888

Version 1.0_20140408

www.dynacolor.com.hk

☎ 客戶服務熱線:

(852) 3182 0888



WECLOnline.com
YOUR ELECTRONIC MEGASTORE

